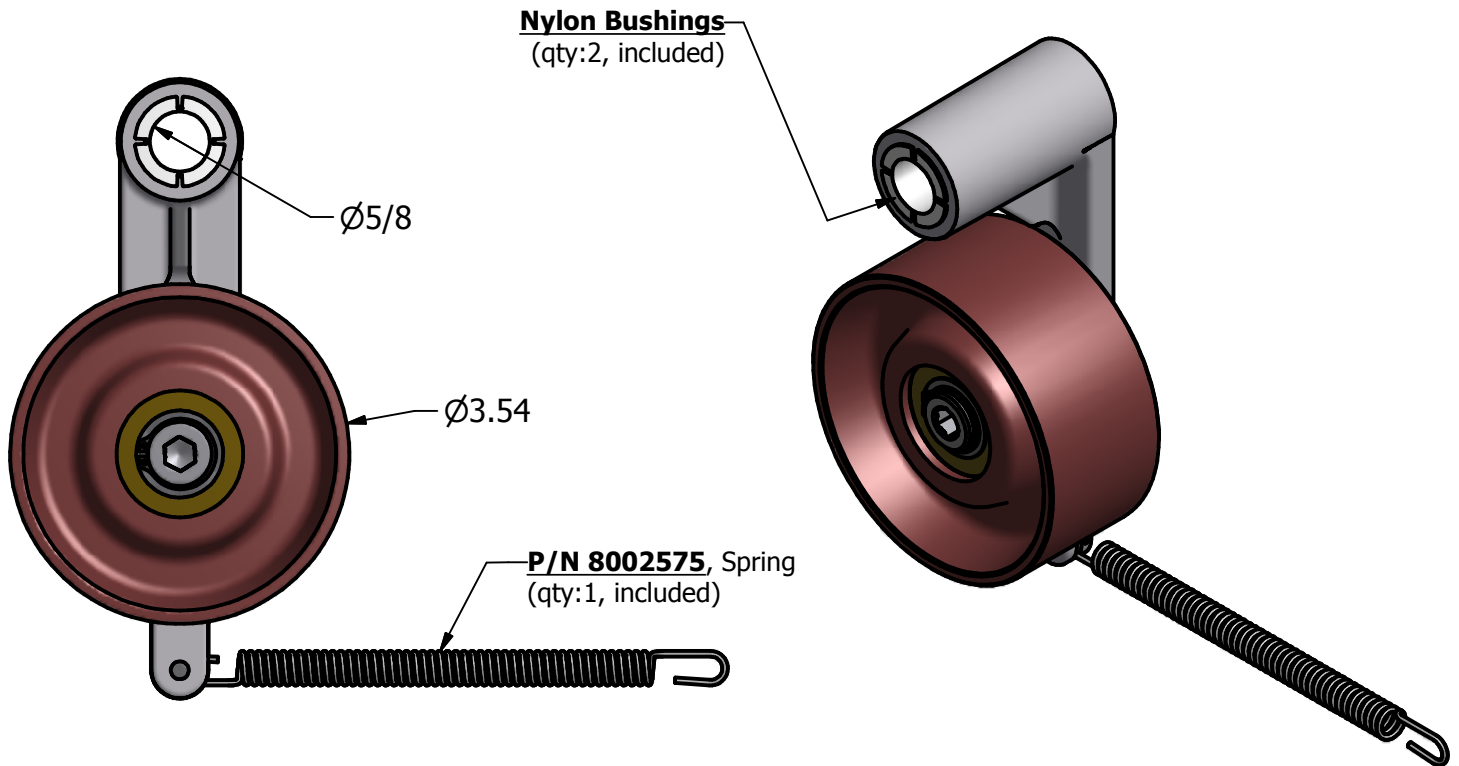


Paxton AT-Series, Replacement Tensioner Assembly



P/N 8002575-5,
SPRING, 5PK, 4.42" LONG
FOR AT-SERIES IDLER ARM
(sold separately)

P/N 8002562,
ASY, IDLER/TENS., AT-SERIES
WITH ALUM PULLEY, SPRING, 2xBRG

- OR -

P/N 8002562-5,
ASY, IDLER/TENS., 5-PACK, AT
SERIES, ALUM PULLEY, SPRG, 2xBRG

THIS DOCUMENT IS THE PROPERTY OF PAXTON PRODUCTS AND IS FURNISHED ON THE CONDITION THAT IT IS TO BE USED ONLY BY PAXTON CUSTOMERS FOR INTEGRATING PAXTON EQUIPMENT. THIS DOCUMENT MAY BE USED BY CUSTOMERS TO CREATE THEIR OWN EQUIPMENT DOCUMENTATION. OTHERWISE THIS DOCUMENT IS NOT TO BE USED IN ANY SHAPE OR FORM TO CREATE DOCUMENTS, PARTS, OR EQUIPMENT.



10125 Carver Road Phone: (800) 441-7475
Cincinnati, OH 45242 (513) 891-7474
www.paxtonproducts.com

ASSEMBLY, IDLER/TENSIONER, AT-SERIES
WITH ALUMINUM PULLEY, SPRING, 2xBearings

DATE
3/31/2010

INVENTOR DWG No.

CS-8002562