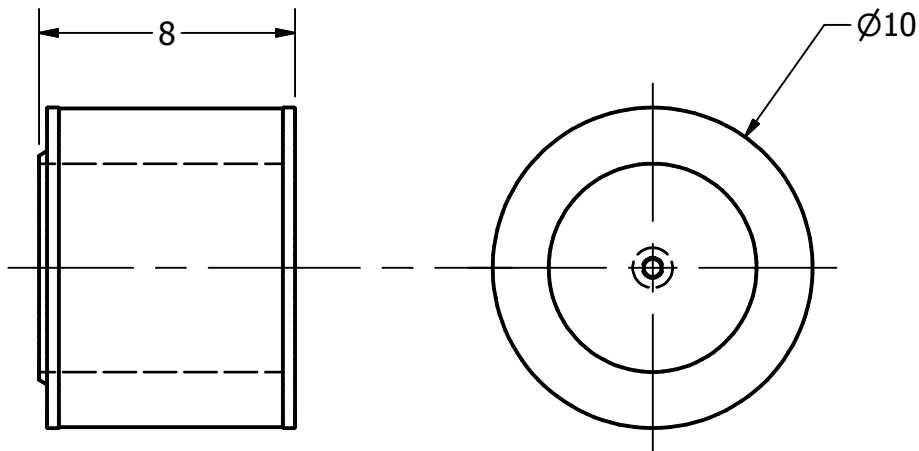
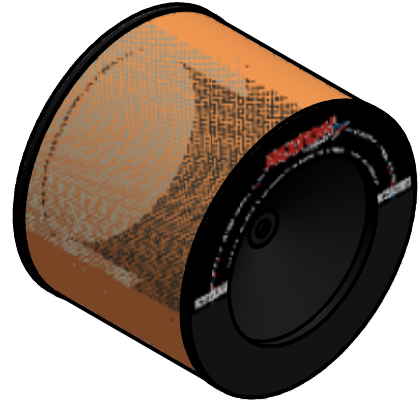


PRODUCT DATA:

- **PAXTON HI-FLOW SYNTHETIC** FILTER MEDIA WITH ENDURALAST™ TECHNOLOGY
- **98% EFFICIENCY @ 10 MICRON** (NOMINAL) FLOW
- **MAXIMUM FLOW = 1000 SCFM @ 2.0" W.G. MAX INITIAL**
- MAXIMUM PRESSURE DROP NOT TO EXCEED 12" W.G. ADDITIONAL (USED/FILLED)
- 21 SQ. FT OF FILTER SURFACE AREA
- HYDROPHOBIC MEDIA (WATER REPELLING, NON-ABSORBING)
- OIL-RESISTANT MEDIA
- 50% LONGER FILTER LIFE COMPARED TO STANDARD POLYESTER
- MEDIA COLOR: LIGHT ORANGE
- LOW RESTRICTION/PRESSURE DROP VENTURI-STYLE INLET
- CORROSION RESISTANT POWDER-COAT FINISH
- GALVANIZED STEEL, EXPANDED METAL FILTER MEDIA SUPPORT
- MAXIMUM OPERATING TEMP = 185°F

- WEIGHT: 2.5 LBS EACH

- PATENT PENDING



REPLACEMENT ELEMENT FOR:

PAXTON P/N 8005540,
FILTER, SIL/HSG, 1000 CFM @ 10 MICRON
HI-FLOW SYNTHETIC, W/CLAMPS, 40H

THIS DOCUMENT IS THE PROPERTY OF PAXTON PRODUCTS AND IS FURNISHED ON THE CONDITION THAT IT IS TO BE USED ONLY BY PAXTON CUSTOMERS FOR INTEGRATING PAXTON EQUIPMENT. THIS DOCUMENT MAY BE USED BY CUSTOMERS TO CREATE THEIR OWN EQUIPMENT DOCUMENTATION. OTHERWISE THIS DOCUMENT IS NOT TO BE USED IN ANY SHAPE OR FORM TO CREATE DOCUMENTS, PARTS, OR EQUIPMENT.



10125 Carver Road Phone: (800) 441-7475
Cincinnati, OH 45242 (513) 891-7474
www.paxtonproducts.com

ELEMENT, 2-PACK, 1000 CFM @ 10 MICRON
98%, HI-FLOW SYNTHETIC, 40H, 21 SQ FT, 5lbs

DATE 3/31/2010

INVENTOR DWG No.

CS-8005542-2